

BATHCO DESIGNS

MANAGING BATHROOMS IN CONSTRUCTION

Edwrox Clarity Chrome Exposed
Thermostatic Valve, Fixed Head, Slide
Rail Kit & Bath Filler

67-13019 Edwrox Clarity Chrome
Exposed Thermostatic Valve, Fixed
Head, Slide Rail Kit & Bath Filler

Technical Information

Construction Material: Brass
body, ABS handle

Product Weight: 5.8 Kg

COO: CN

Colour / Finish: Chrome

WRAS Approved: No

TMV Approved: No

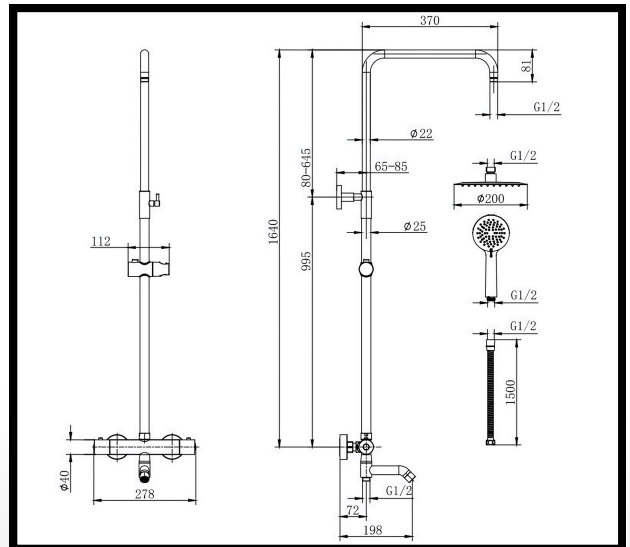
Cartridge Type: Thermostatic

Valve: Ceramic disc valve

Shower Hose: 1.5M, Stainless Steel

Fitting: Easyfit connectors (Male
thread offset 1/2 inch x 3/4" BSP
with Escutcheon);

Water Pressure: Min. 1.0 bar, Max.
6.0 bar



Product Guarantee

- 15 Years Guarantee
- 2 Years Parts

Contact us!

☎ 01603 856104

✉ sales@bathcodesigns.com

Flow Rates (L/min)

0.1 Bar	0.2 Bar	0.3 Bar	0.5 Bar	1.0 Bar	1.5 Bar	2.0 Bar	3.0 Bar	4.0 Bar	5.0 Bar
3	-	5.3	7	99	-	14	17	19	22



EDWROX

The information on this page is accurate as of the issue date. Fitting dimensions are approximate and may vary due to manufacturing tolerances. We reserve the right to change specifications without notice as part of our ongoing product improvement.

Issue Date: 05/03/2025