

# BATHCO DESIGNS

MANAGING BATHROOMS IN CONSTRUCTION

## Edwrox Orion Low Level WC

**18-2525** Edwrox Orion Low Level  
Pan

**18-2526** Edwrox Orion Low Level  
Cistern with Push Button

**18-2527** Edwrox Orion Low Level  
Cistern with Lever Flush

**18-2521** Edwrox Orion Seat & Cover

## Technical Information

**Material:** Ceramic

**Flushing Volume:** 6 Litre

**Weight:** 29.79 Kg

**COO:** CN

**Colour:** Euro White

**WRAS Approved :** Yes

## Product Dimensions

H 390 x W 370 x D 470mm

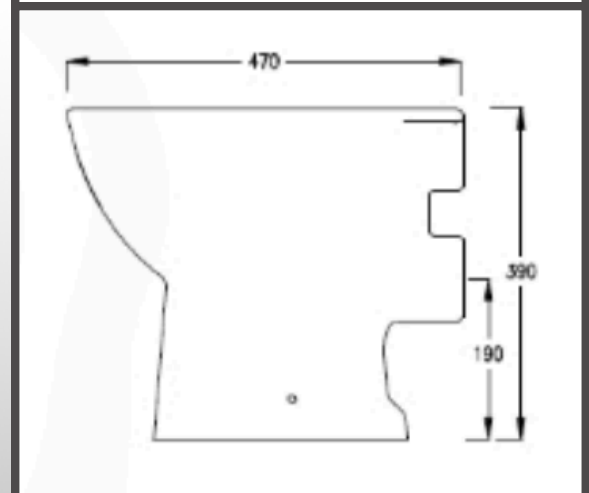
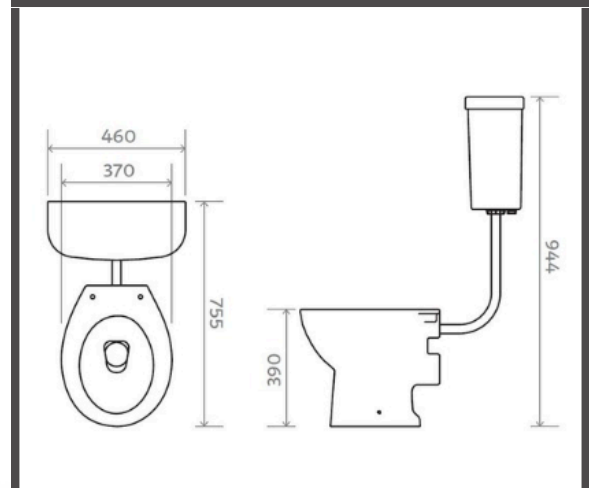
## Product Guarantee

- 25 Years Guarantee
- 2 Years Parts (Toilets & Cistern Fittings)

## Contact us!

☎ 01603 856104

✉ sales@bathcodesigns.com



  
EDWROX



The information on this page is accurate as of the issue date. Fitting dimensions are approximate and may vary due to manufacturing tolerances. We reserve the right to change specifications without notice as part of our ongoing product improvement.

Issue Date: 05/03/2025